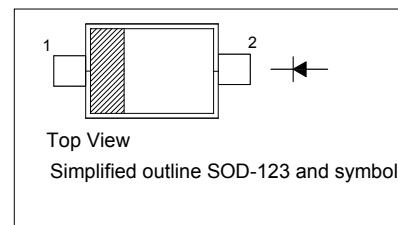


Features

- Low Forward Voltage Drop
- Fast Switching

PINNING

PIN	DESCRIPTION
1	Cathode
2	Anode



Absolute Maximum Ratings (T_a = 25 °C)

Parameter	Symbol	Value	Unit
Repetitive Peak Reverse Voltage	V _{RRM}	30	V
Reverse Voltage	V _R	30	V
Forward Continuous Current	I _{FM}	200	mA
Repetitive Peak Forward Current at t < 1 s	I _{FRM}	500	mA
Non-repetitive Peak Forward Surge Current at t < 10 ms	I _{FSM}	2	A
Power Dissipation	P _{tot}	200	mW
Thermal Resistance Junction to Ambient	R _{θJA}	500	°C/W
Operating and Storage Temperature Range	T _J , T _{Stg}	- 55 to + 125	°C

Characteristics at T_a = 25 °C

Parameter	Symbol	Min.	Max.	Unit
Reverse Breakdown Voltage at I _R = 100 μA	V _{(BR)R}	30	-	V
Reverse Current at V _R = 25 V	I _R	-	500	nA
Forward Voltage at I _F = 200 mA	V _F	-	1	V
at I _F = 10 mA		-	0.4	V
at I _F = 50 mA		-	0.65	V
at I _F = 2 mA		0.26	0.33	V
at I _F = 15 mA		-	0.45	V
Total Capacitance at V _R = 1 V, f = 1 MHz	C _T	-	10	pF
Reverse Recovery Time at I _F = I _R = 10 mA, I _{rr} = 0.1 X I _R , R _L = 100 Ω	t _{rr}	-	5	ns

Typical Characteristics

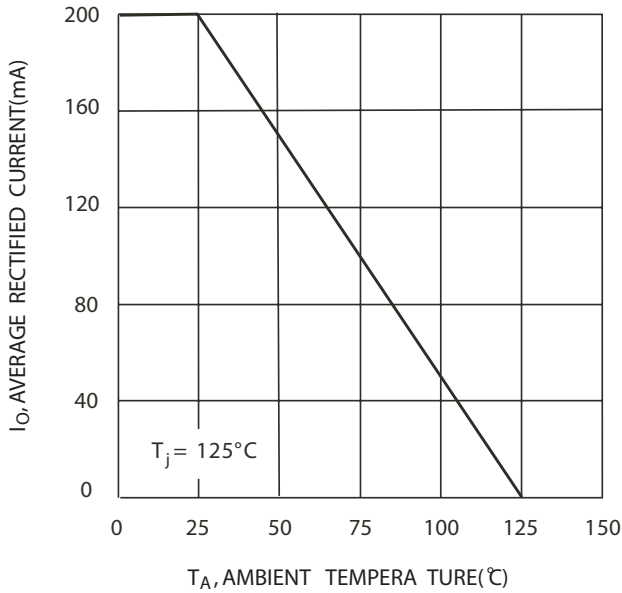


FIG. 1 Forward Current Derating Curve

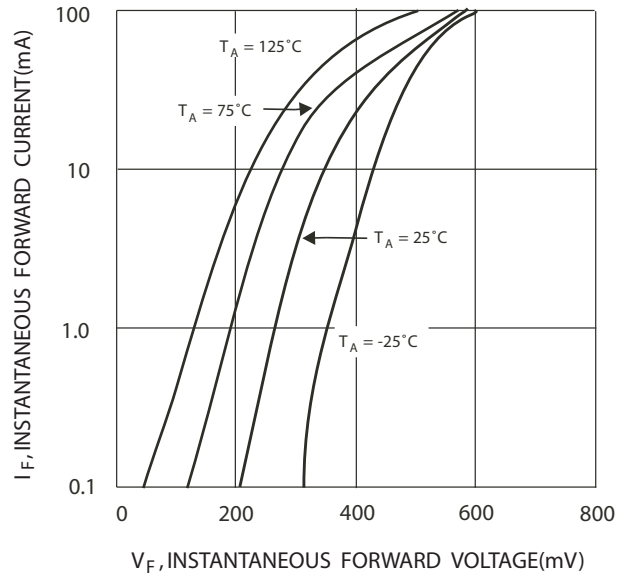


FIG. 2 Typical Forward Characteristics

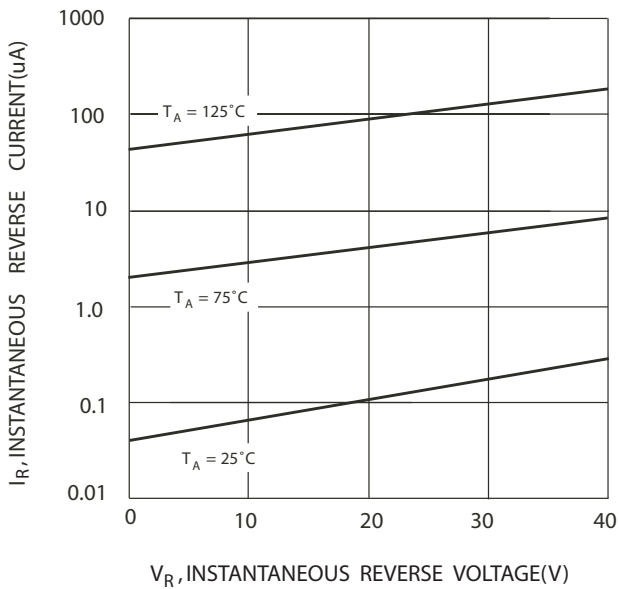


FIG. 3 Typical Reverse Characteristics

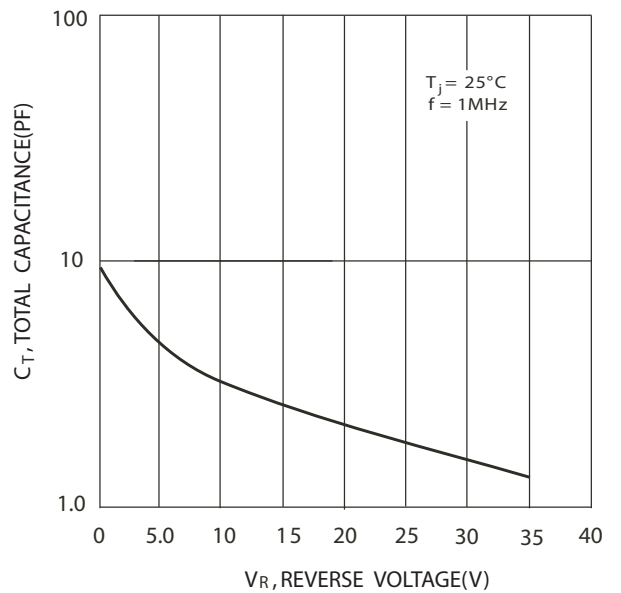
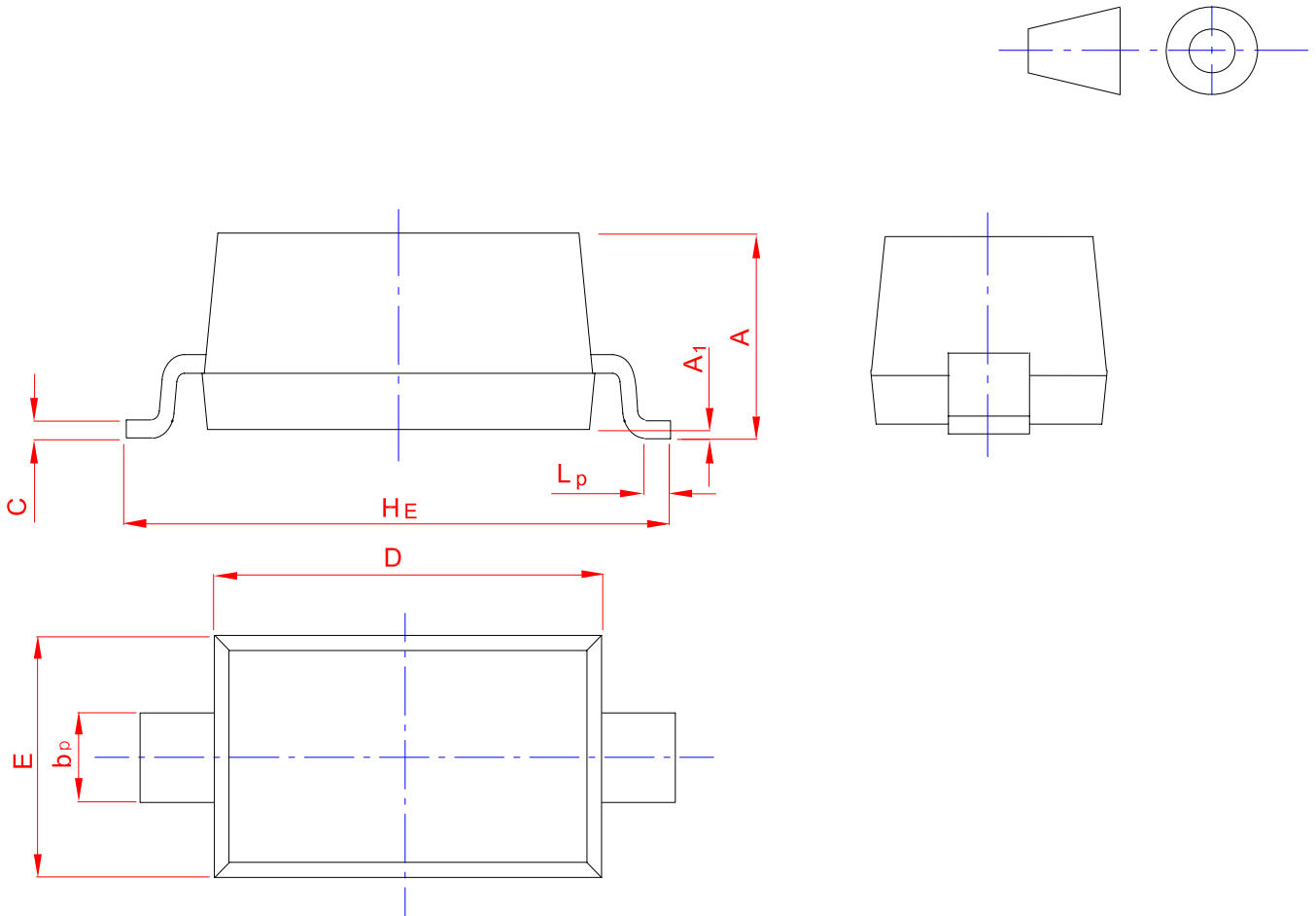


FIG. 4 Total Capacitance vs. Reverse Voltage

PACKAGE OUTLINE

Plastic surface mounted package; 2 leads

SOD-123



UNIT	A	b _p	C	D	E	H _E	A ₁	L _p
mm	1.20	0.60	0.135	2.75	1.65	3.85	0.10	0.50
	0.90	0.50	0.100	2.55	1.55	3.55	0.01	0.20